

# SCHINKELLATERNE 465

## Outdoor Lighting



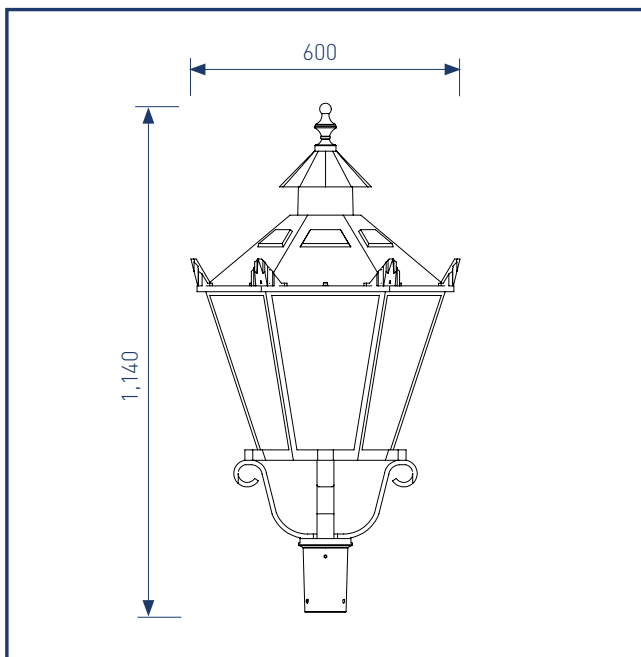
### Your product advantages

- ✓ **True to detail:** Historical luminaire with newest LED technology
- ✓ **Flexible:** Thanks to modern lighting solutions the series is suitable for many different tasks
- ✓ **Maintenance friendly:** Few or no maintenance work necessary

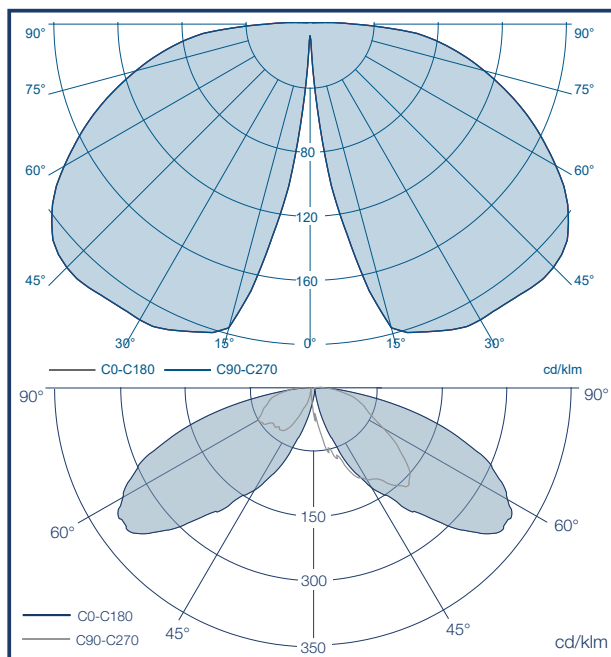
### Application areas

Roads in residential areas, historical places, parks

### Dimensions (mm)



### Light distribution (rotational symmetric beam / asymmetric wide beam)



### SCHINKELLATERNE 465

Lighting fixtures body		
Material	Die cast aluminium	
Colour (powder coating)	RAL or DB	
Mounting type	Post top installation (Ø 76 mm) / Traditional cast post	
Orientation possibilities	—	
Dimension (height x max. width)	1,140 x 600 mm	
Weight	app. 14.5 kg	
Exposed wind surface	0.275 m <sup>2</sup>	
IP Protection class	IP 54	
Glass type	PMMA (transparent / structured / opal)	
Shock resistance	IK 08	
Photometric properties		
Light source	Gas lights mantle imitation with Mid-Power LEDs	LED Modules with High-Power LEDs
Optical system	Rotational symmetric beam	Asymmetric wide beam
Rated luminous flux	900 – 2,600 lm	1,000 – 3,000 lm
Light efficiency	86 lm/W	100 lm/W
Colour temperature	2,700 K	3,000 / 4,300 K
Colour rendering index (Ra)	> 80	> 70
Dimming (power control)	Power line control / digital	
Rated lifetime at (ta) 30°C	50,000 h at L70	
Temperature management	✓	
Constant Light Output (CLO)	✓	
Electrical properties		
Rated power	10 – 30 W (in 2W steps)	
Electrical protection class	Class I / II	
Rated voltage	220 – 240 V	
Frequency	50 – 60 Hz	
Surge protection (L-N / L N-ground)	6 / 8 kV	
Installation suggestions		
Application areas	Roads in residential areas, historical places, parks	
Light point height	3 – 5 m	
Lighting classes	—	
Admitted ambient temperature (ta)	-25°C – +35°C	
Other properties		
Certificate	CE	
Connection to circuit breaker (B16)	17 pcs.	
Options		
Reduction part to Ø 60 mm	✓	
DALI Interface (not with phase control)	✓	

06/2016\_TDS\_EN\_V1.0

HELLUX International GmbH

Mergenthalerstraße 6  
30880 Laatzen, Germany

Phone +49 (0)511 820 10-0  
Fax +49 (0)511 820 10-102

info@hellux.de  
www.hellux.de

©HELLUX International GmbH. Data may vary due to actual version. Subject to technical changes. All statements without guarantee.



A COMPANY OF WÜNSCHE GROUP