

PURO 772

Outdoor Lighting



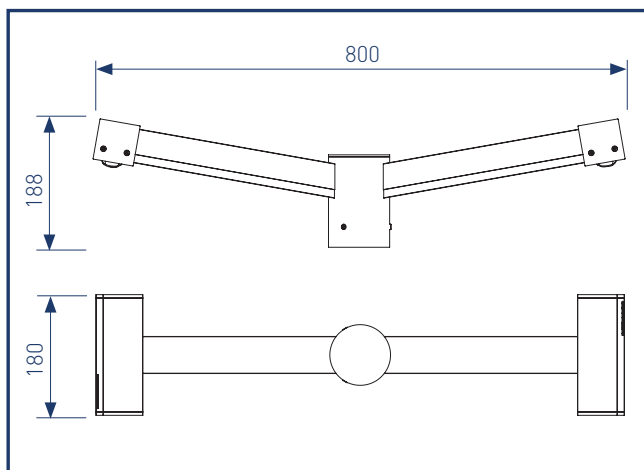
Your product advantages

- ✔ **Pure:** Simple timeless design
- ✔ **Unique:** Protected, distinctive design
- ✔ **Secure:** Compact design protects against vandalism
- ✔ **Universal:** Other variants are possible as post-top or wall mounting montages

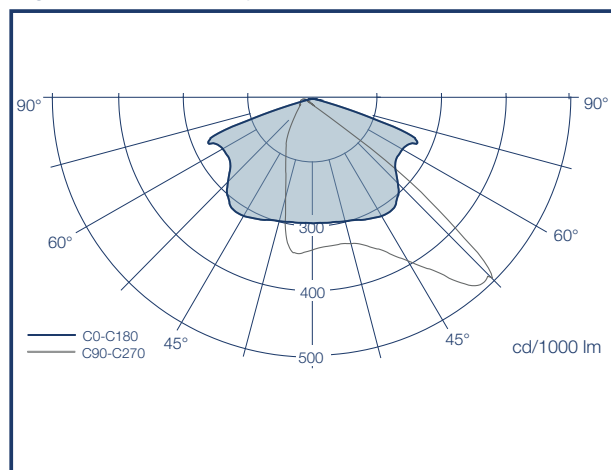
Application areas

Parking areas, public places

Dimensions (mm)



Light distribution (asymmetric wide beam)



PURO 772

Lighting fixtures body		
Material	Extruded aluminium profile	
Colour (powder coating)	DB 703	
Mounting type	Post top mounting (Ø 76 mm)	
Orientation possibilities	Basic up tilt of 15° (or 10°)	
Dimension (length x width x height)	800 x 188 x 180 mm	
Weight	5.2 kg	
Exposed wind surface	0.08 m ²	
IP Protection class	IP 67 (LED module) / IP 44 (electrical unit)	
Glass type	PMMA	
Shock resistance	IK 10	
Photometric properties		
Light source	LED module with High-Power-LEDs	
Optical system	Asymmetric wide beam light distribution	
Rated luminous flux	2 x (1,200 / 1,900)	2 x (1,400 / 2,300)
Light efficiency	92 / 73 W	108 / 88 lm/W
Colour temperature	3,000 K	4,000 K
Colour rendering index (Ra)	> 70	
Dimming (power control)	—	
Rated lifetime at (ta) 30°C	50,000 h at L80/B10	
Temperature management	—	✓
Constant Light Output (CLO)	—	✓
Electrical properties		
Rated power	2 x (13 / 26 W)	
Electrical protection class	Class I / II	
Rated voltage	220 – 240 V	
Frequence	50 – 60 Hz	
Surge protection (L–N / L N–ground)	2 kV	
Installation suggestions		
Application areas	Parking areas, public places	
Light point height	3 – 6 m	
Lighting classes	S	
Admitted ambient temperature (ta)	-25°C – +35°C	
Other properties		
Certificate	CE	
Connection to circuit breaker (B16)	17 pcs.	
Options		
Reduction part to Ø 60 mm	✓	