

TEMPUS 538

Outdoor Lighting



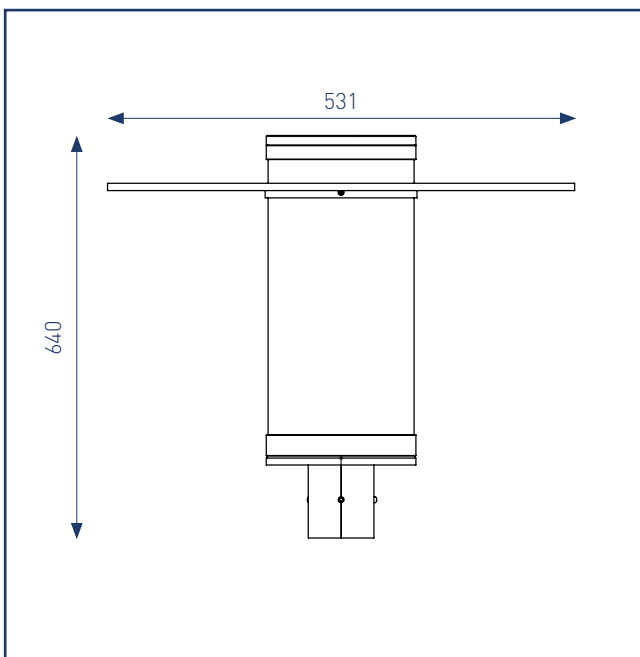
Your product advantages

- ✓ **Timeless:** Decorative lantern with latest lighting technology and LED fixed in the top
- ✓ **Easy maintenance:** Tool-less opening and replacements of parts
- ✓ **Flexible:** Variable applications by diffuse or clear glass

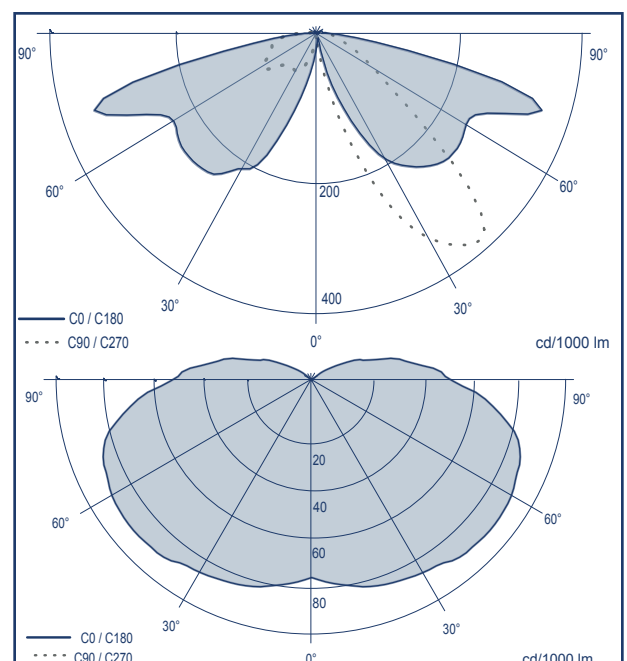
Application areas

Roads in residential areas, pedestrian areas, public places, paths

Dimensions (mm)



Light distribution (asymmetric wide beam / symmetric and diffusing)



TEMPUS 538

street optic

symmetric / diffusing

| Lighting fixtures body | | |
|-------------------------------------|------------------------------------------|------------------------------|
| Material | Die cast aluminium | |
| Colour (powder coating) | RAL or DB | |
| Mounting type | Post top (Ø 76 or 60 mm) | |
| Orientation possibilities | — | |
| Dimension (length x width x height) | 640 / Ø 531 mm | |
| Weight | 8 kg | |
| Exposed wind surface | 0,1 m ² | |
| IP Protection class | IP 55 | |
| Glass type | PMMA (smooth clear) | PMMA (diffuse) |
| Shock resistance | IK 08 | |
| Photometric properties | | |
| Light source | LED-Modules with High-Power-LED | |
| Optical system | Asymmetric wide beam or rotosymmetric | Symmetric and diffusing beam |
| Rated luminous flux | 1,100 – 2,800 lm | 900 – 3,200 lm |
| Light efficiency | 110 lm/W | 90 lm/W |
| Colour temperature | 3,000 /4,300 K | 3,000 /4,000 K |
| Colour rendering index (Ra) | > 70 | |
| Dimming (power control) | Power line control /digital | |
| Rated lifetime at (ta) 30°C | 85,000 h at L80/B10 | |
| Temperature management | ✓ | |
| Constant Light Output (CLO) | ✓ | |
| Electrical properties | | |
| Rated power | 10 – 26 W | 10 – 36 W |
| Electrical protection class | Class I / II | |
| Rated voltage | 120 – 277 V | |
| Frequency | 50 – 60 Hz | |
| Surge protection (L-N / L N-ground) | 6 / 8 kV | |
| Installation suggestions | | |
| Application areas | Roads in residential areas | Public places, paths |
| Light point height | 3 – 5 m | |
| Lighting classes | ME/S | S |
| Admitted ambient temperature (ta) | -25°C – +35°C | |
| Other properties | | |
| Certificate | CE | |
| Connection to circuit breaker (B16) | 17 pcs. | |